

TO

NO : PRJ-04070

DATE 2010-08-13

< FINAL . REVISED >

S P E C I F I C A T I O N

DEVICE SPECIFICATION FOR

HIGH VOLTAGE TRANSFORMER.

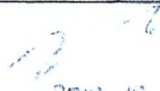

MODEL NAME (PART NO.)

YR-E1800A

YOUNG REEM PART CODE

■ CUSTOMER'S RECEIVE

DATE : _____

RECEIVED BY	CHECKED BY	ISSUED BY	IN CHARGE OF PART
	 2010 10 05		 10/05

■ SUPPLIER

PRESENTED BY : DIGITAL POWER COMMUNICATIONS CO., LTD.

DRAWN BY : _____

DESIGNED BY : _____

CHECKED BY : _____

APPROVED BY : _____ 

SPECIFICATION FOR H.V.T	PART NUMBER	CUSTOMER
DPES - H - E - AH04070	YR-E1800A	

1. SCOPE

THIS SPECIFICATION APPLIES TO TRANSFORMER PART NO. YR-E1800A
FOR USING IN MICROWAVE OVEN WHICH IS MANUFACTURED BY YIUNG REEM

2. APPLICABLE SAFETY STANDARD : IEC.PUB 335-2-25 & 331-1 CLASS 1

3. APPEARANCE AND CONSTRUCTION.

3.1 APPEARANCE : TRANSFORMER SHALL BE FREE FROM SUCH DEFICIENCIES AS DEFORMATION, CRACK OR RUST IN APPEARANCE.

3.2 TYPE, DIMENSION AND MARKING : SEE ATTACHED CONSTRUCTION DRAWING NUMBER PRJ-034070

3.3 CLASSIFICATION OF TERMINAL : #250 FASTON TABS & RECEPTACLES.

4. MECHANICAL PERFORMANCE.

4.1 COMPRESSED STRENGTH OF TERMINALS : TERMINALS SHALL BE WITHSTAND WITHOUT BREAKING OR LOOSENING WHEN A STATIC LOAD OF 100N FOR 15 SECONDS IS APPLIED IN THE DIRECTION OF PULLING OUT TO THE TERMINAL.

5. ELECTRICAL PERFORMANCE

5.1 RATED PRIMARY VOLTAGE : AC 230/240 V

5.2 RATED FREQUENCY : 50 Hz

5.3 SECONDARY VOLTAGE. (CHECK RESULT BASED ON 230V)

CODE	NO-LOAD VOLTAGE (R.M.S)	DEVIATION
HIGH VOLTAGE(S1)	AC 2375 V	± 30 V
FILAMENT VOLTAGE(S2)	AC 3.3 V	± 0.1 V

5.4 NO-LOAD CURRENT : NO-LOAD CURRENT SHALL BE LESS THAN 6 A
AT 50 Hz, AC 230 V SUPPLY.

5.5 NO-LOAD WATTAGE LOSS : NO-LOAD WATTAGE LOSS SHALL BE LESS THAN 85 W
AT 50 Hz, AC 230 V SUPPLY.

5.6 DIELECTRIC STRENGTH AND INDUCED VOLTAGE TEST : TRANSFORMER SHALL BE WITHSTAND AS FOLLOWING STATEMENT.

ITEM APPLIED POINT	STANDARD	MASS PRODUCTION
	APPLIED VOLTAGE(RMS)AND TIME	APPLIED VOLTAGE(RMS)AND TIME
PRIMARY WINDING - CORE	50 Hz, AC 1500 V, 1 MINUTE	50 Hz, AC 2000 V, 3 SECONDS
FILAMENT WINDING - CORE	50 Hz, AC 10000 V, 1 MINUTE	50 Hz, AC 10500 V, 3 SECONDS
FILAMENT WINDING - PRIMARY WINDING	50 Hz, AC 10000 V, 1 MINUTE	50 Hz, AC 10500 V, 3 SECONDS
INDUCED VOLTAGE - TEST	400 Hz, AC 690 V, 60SECONDS	400 Hz, AC 690 V, 3 SECONDS

5.7 INSULATION RESISTANCE : INSULATION RESISTANCE BETWEEN EACH WINDING, AND CORE, EXCEPT SECONDARY WINDING AND CORE, SHALL BE MORE THAN 100 MΩ MEASURED WITH DC 500V INSULATION RESISTANCE TESTER BEFORE LOADING.

5.8 D.C.RESISTANCE AT 20 °C

- | | | | |
|-----------------|-------|-----|---|
| (1) PRIMARY : | 1.430 | +5% | Ω |
| (2) SECONDARY : | 91.00 | +5% | Ω |

6. ENVIRONMENTAL PERFORMANCE.

6.1 HEAT RESISTANCE : IMMEDIATELY AFTER BEING PLACED IN A ROOM FOR 48 HOURS MAINTAINED AT 220°C AMBIENT TEMPERATURE, TRANSFORMER SHALL CONFORM WITH THE ABOVE PARAGRAPH 5-6 AND ALSO INSULATION RESISTANCE SHALL BE MORE THAN 10 MΩ.

6.2 MOISTURE RESISTANCE : IMMEDIATELY AFTER BEING PLACED IN A ROOM FOR 96 HOURS IN SUCH CONDITION THAT IS MAINTAINED AT 90 - 95% RELATIVE HUMIDITY AND 40 ± 2°C TEMPERATURE, AND WIPED A DROP OF WATER, TRANSFORMER SHALL BE CONFORM WITH THE ABOVE PARAGRAPH 5-6 AND ALSO INSULATION RESISTANCE SHALL BE MORE THAN 10 MΩ.

7. INSPECTION.

7.1 100% INSPECTION ITEMS : NO - LOAD CURRENT, NO - LOAD WATTAGE LOSS, SECONDARY OPEN VOLTAGE, ITEM 5-6 TEST, APPEARANCE AND CONSTRUCTION.

7.2 SAMPLING INSPECTION ITEMS : THE ITEMS OF THE SAMPLING INSPECTION SHALL BE COIL RESISTANCE, INSULATION RESISTANCE, DIMENSION AND AUDIBLE SOUND TEST, INCLUDING THE 100% INSPECTION ITEMS AS THE ABOVE PARAGRAPH 7-1.

7.3 THE SAMPLING INSPECTION DATA ACCORDING TO 7-2 AND 100% DIELECTRIC WITHSTAND TEST DATA SHALL BE SUBMITTED FOR EACH LOT. (N=5)

8. OTHERS.

8.1 AUDIBLE SOUND TEST : WHEN APPLIED WITH 1.2 TIMES OF THE RATED PRIMARY VOLTAGE, TRANSFORMER SHALL BE MAKE NO LOUDER SOUND THAN 50dB. AT THE DISTANCE OF 30cm FROM IT.

8.2 INSULATION CLASS : CLASS 220

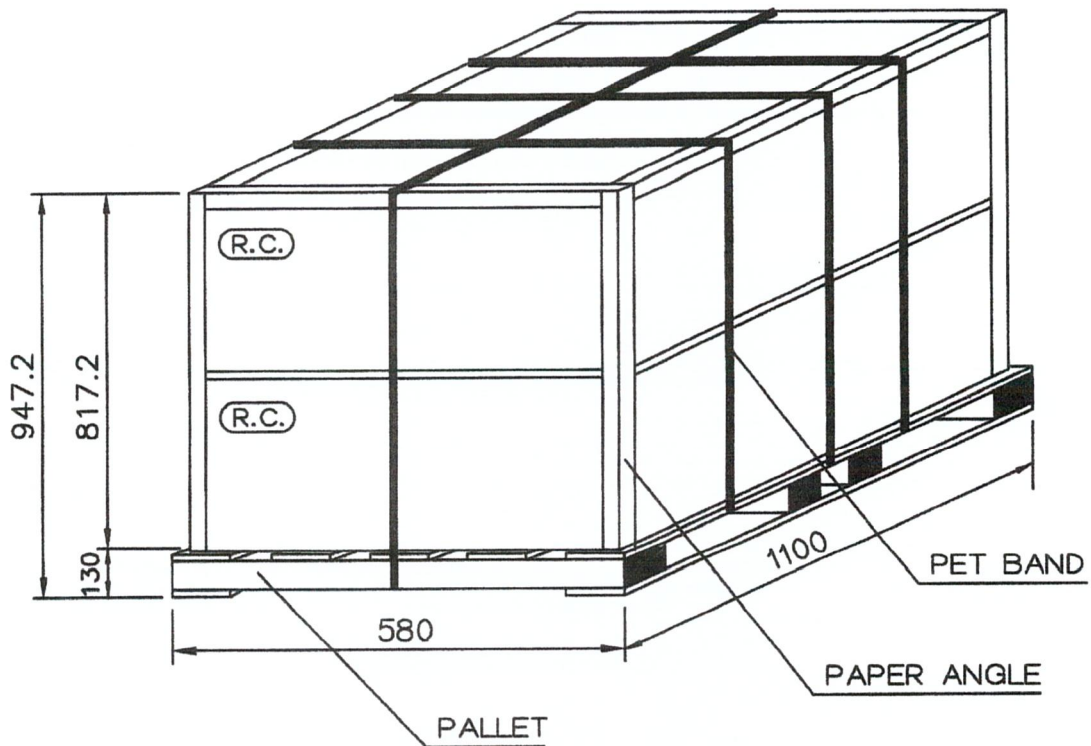
8.3 MAGNETRON :

8.4 CONDENSER : 0.95 uF

8.5 OUTPUT POWER : 1800 W

8.6 WEIGHT : 5.08 Kg

8.7 MANUFACTURER : DIGITAL POWER COMMUNICATIONS CO. LTD



- . PRODUCT WEIGHT PER A PCS : ABOUT 5.08 KG
- . TOTAL PRODUCT WEIGHT PER A PALLET : 5.08 KG X 168 Pcs=ABOUT 853.44 KG
- . PACKING WEIGHT PER A PALLET : ABOUT 20 KG
- . TOTAL WEIGHT PER A PALLET : 853.44 KG+ 20 KG=ABOUT 873.44 KG
- . PRODUCT QUANTITY PER A PALLET :
 - 6 IN A ROW BY 4 COLUMN X 7 LAYER= 168 Pcs
- . PALLET QUANTITY (1100 x 580) X 20 = 20 Pcs
- . CONTAINER TOTAL WEIGHT IN 20'FT CONTAINER :
 - 762.56 KG X 20 Pcs= ABOUT 17,468.8 KG
- . TOTAL QUANTITY OF PRODUCTS IN 20'FT CONTAINER :
 - 168 Pcs X 20 Pcs = 3,360 Pcs

△								名 (DESIGNATION)	
△									
△									
△								称	YR-E1800A
(NO)	(DATE)	變更內容 (MODIFIED CONTENTS)					(DWG NO.)	(PAGE)	
尺 (SCALE)	設 (DATE)	2010.08.13	製 (DWG)	檢 (CHECK)	承 (APPR.)	圖 (DWG NO.)	(PAGE)		
度 N/S	計 (DESIG)		圖	圖	認	ATDOC-04070	/		