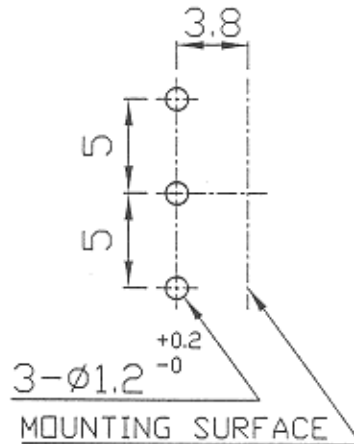


WASHER 1 PC t=0.6

MOUNTING HOLE DETAIL
(VIEWPOINT OF SHAFT)



L	T
15	6.5
17	8.5
20	11.5
25	16.5

RV16AF-20-(L)K-XXX-3

NO.	DATE	DESCRIPTION	MODEL NAME			
TOL UNLESS OTHERWISE STATED	DIMENSION	SCALE	DRAWN BY	CHECKED BY	APPROVED BY	DRAWING NO.
less than 10 ±0.3	mm	2	何 93.12.20 建志	王 93.12.20 茂松	吴 93.12.20 碧峰	
above 10 ~ 30 ±0.5						
above 30 ~ 100 ±1.0		1				
above ±5°						