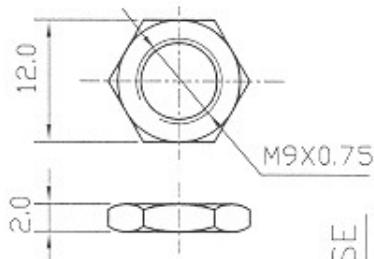
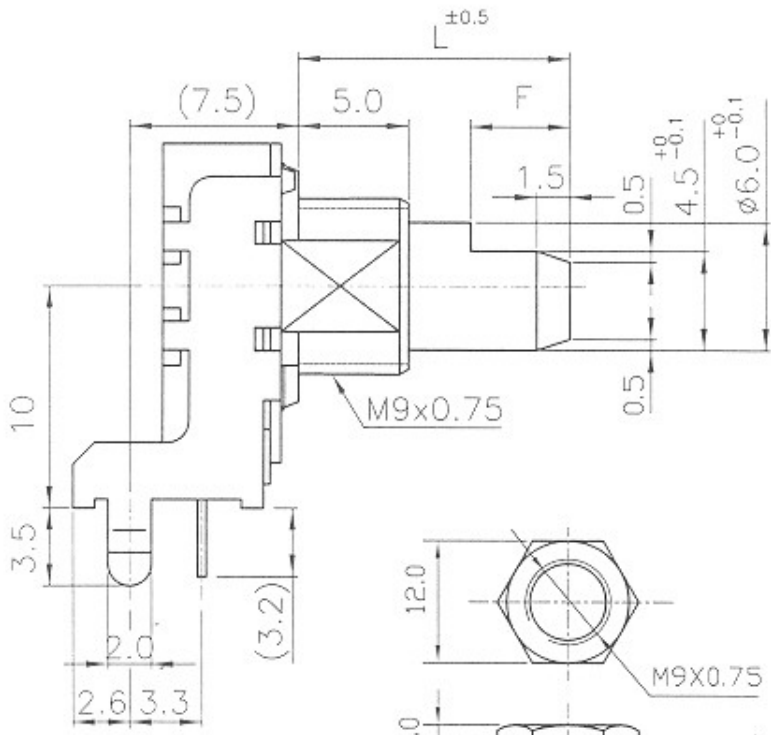
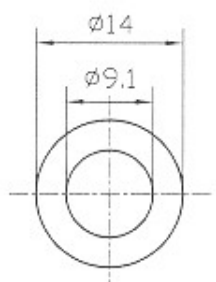


文管中心
2008.02.25
發行章

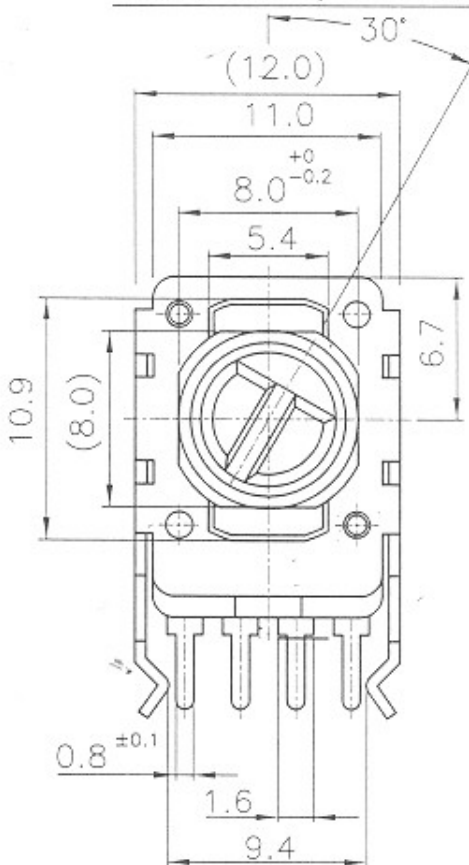


NUT 1 PC

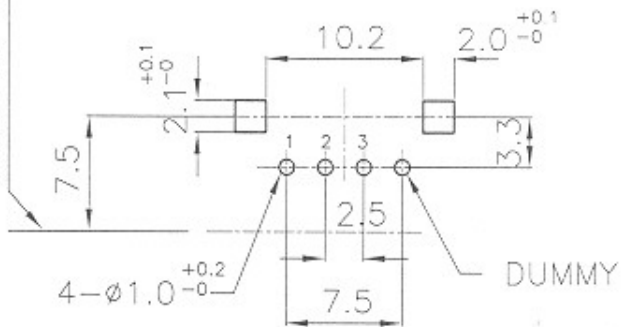


WASHER 1 PC t=0.4

SHAFT SHOWN IN FULL C.C.W. POSITION



BUSHING SURFACE



P.C.B. MOUNTING HOLE DETAIL

	29A	29	12
	30A	30	12
	28A	28	12
	275A	27.5	12
	25A	25	12
	225A	22.5	12
	20A	20	12
	175A	17.5	12
	175A	17.5	7
	15A	15	7
	125A	12.5	7
NOTE	A	L	F

RV110F-20E1-(L)A-XXX-(XC)

NO.	DATE	DESCRIPTION	MODEL NAME			
TOL. UNLESS OTHERWISE STATED	DIMENSION	SCALE	DRAWN BY	CHECKED BY	APPROVED BY	DRAWING NO.
less than 10	±0.3	2 1	何 94.6.20 建志	王 94.6.21 茂松	吳 94.6.21 碧鋒	
above 10 ~ 30	±0.5					
above 30 ~ 100	±1.0					
above	±5*					