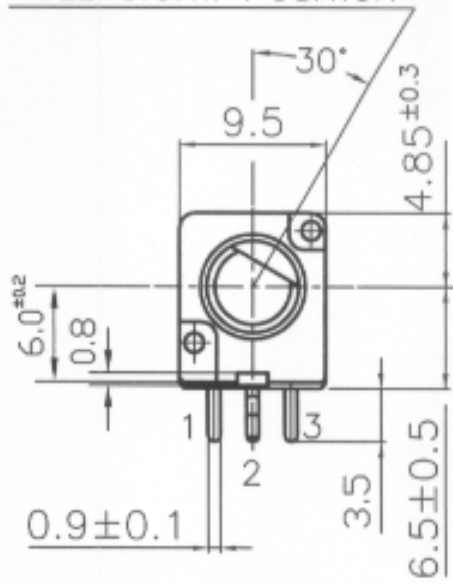
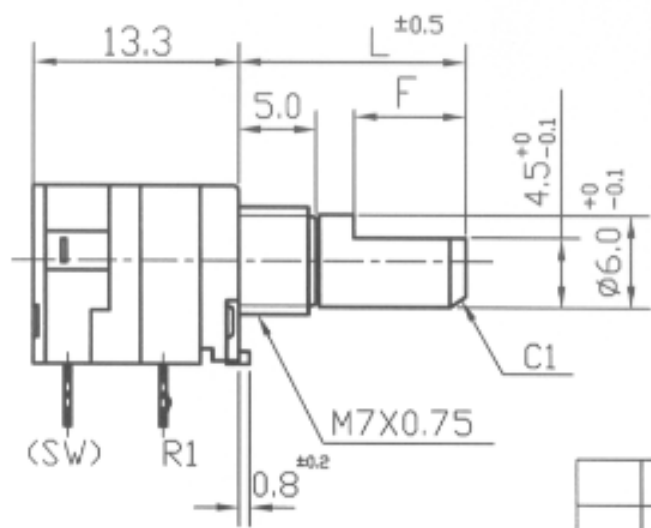
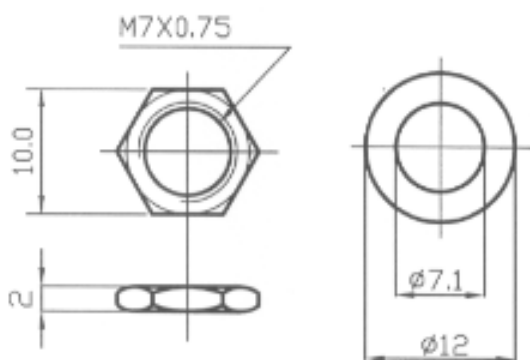


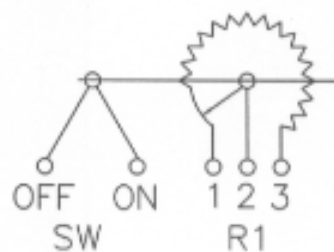
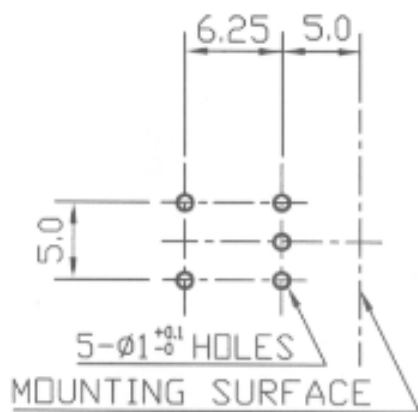
SHAFT SHOWN IN FULL C.C.W. POSITION



	L	F
	15	7
	20	12



● 300°
single unit with switch
(SW Rotary switch)
S.P.S.T. D.C 12V 3A



參 考 用

P.C.B. MOUNTING HOLE DETAIL

				RD901SF-20-(L)F-XXX-6			
				RD901SF-20-(L)F-XXX			
NO.	DATE	DESCRIPTION		MODEL NAME			
TOL. UNLESS OTHERWISE STATED		DIMENSION	SCALE	DRAWN BY	CHECKED BY	APPROVED BY	DRAWING NO.
less than 10 ±0.3		mm	2:1	張月琴	何 95.7.12 建志	楊 200-7-12 孟鑫	
above 10 ~ 30 ±0.6							
above 30 ~ 100 ±1.0							
above ±0.8							