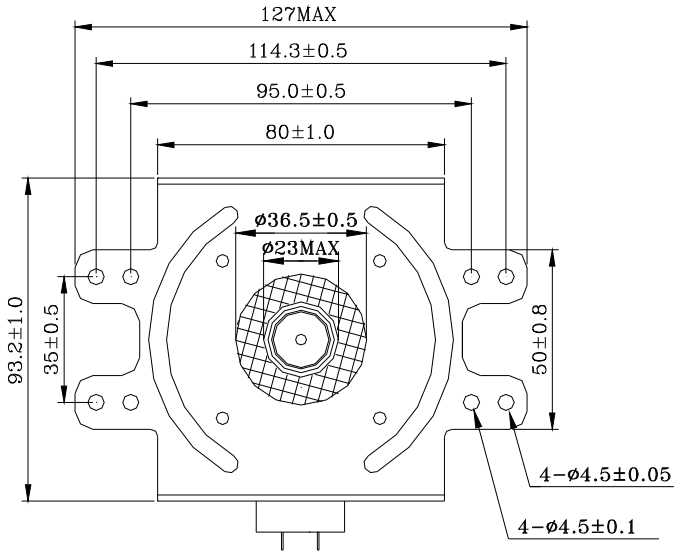


**DIMENSIONAL OUTLINE OF 2M246**

DIMENSIONS IN MILLIMETERS

**2M246-03TYPE**



NOTE :

1. ADAPTABLE TO FASTON 250 SERIES RECEPTACLE.
2. ANODE TEMPERATURE MEASURING POINT.  
(DOWN STREAM AIR)
3. CASE TEMPERATURE MEASURING POINT.
4. ANTENNA TEMPERATURE MEASURING POINT.
5. GASKET RING'S DIAMETER IS MAX 23MM.

