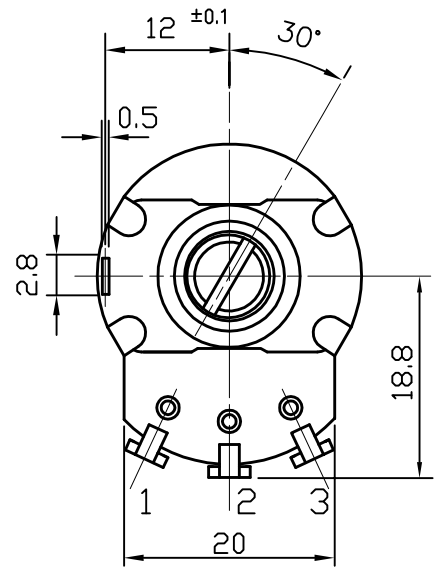
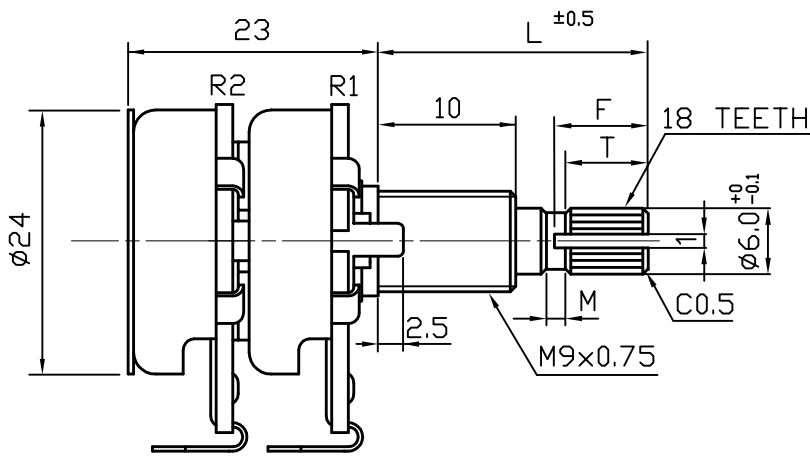


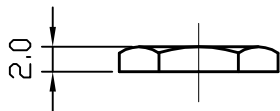
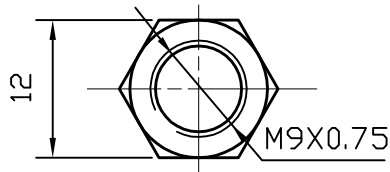
參考用

SHAFT SHOWN IN FULL C.C.W. POSITION

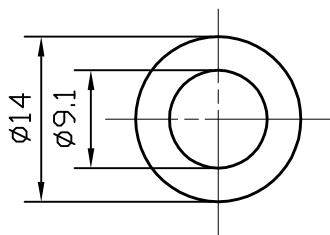


L	T	F	M
20	7	8	1.5
21	6	7	1.5

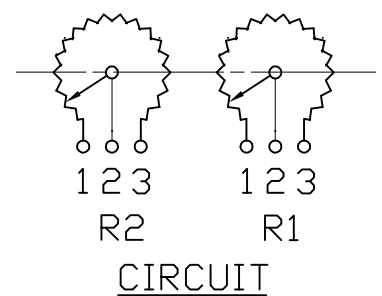
NUT 1 PC.



WASHER 2 PCS. t=0.4



● 300° ROTATION DUAL UNIT



				RV24BF-10E6-(L)K-XXX-1			
No.	DATE	DESCRIPTION		MODEL NAME			
TOL.UNLESS OTHERWISE STATED		DIMENSION	SCALE	DRAWN BY	CHECKED BY	APPROVED BY	DRAWING No.
less than	10	±0.3	2:1	何 100.4.14 建志		劉 100.4.14 韋良	
above	10~30	±0.5					
above	30~100	±1.0					
above		±5'					