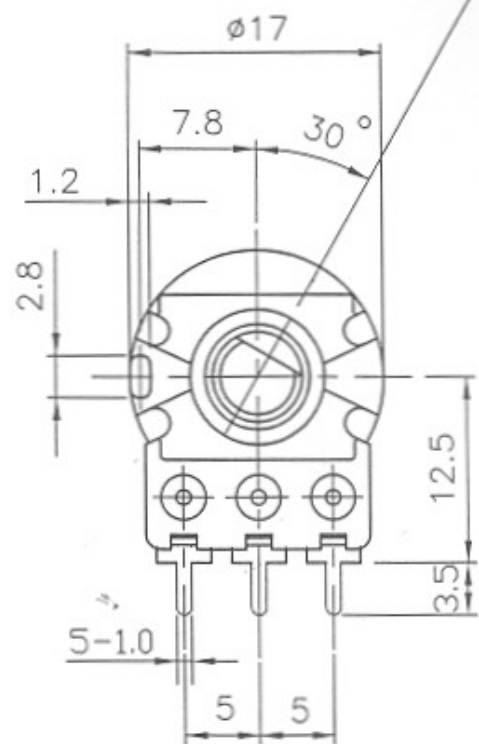
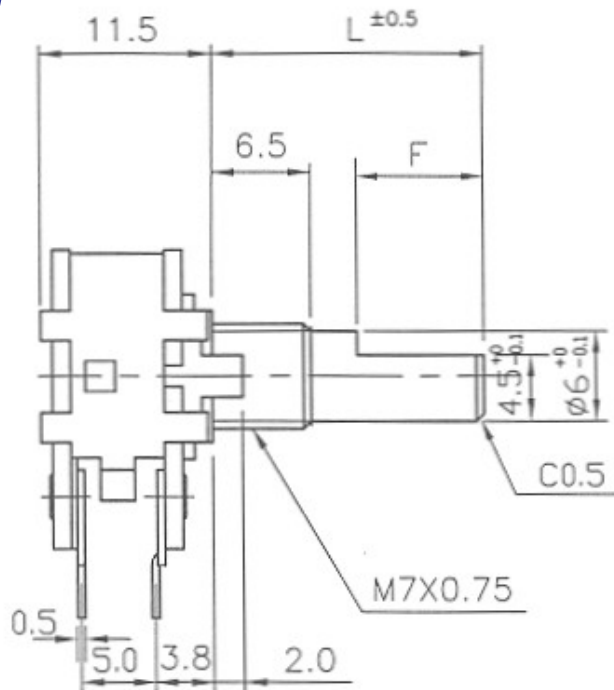


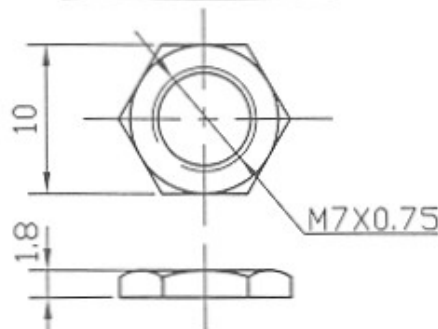
文管中心
2008.06.06
發行章

SW R1

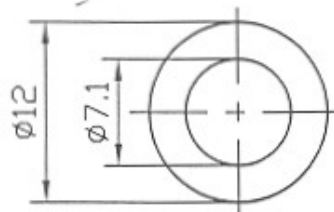
FULL C.C.W. POSITION



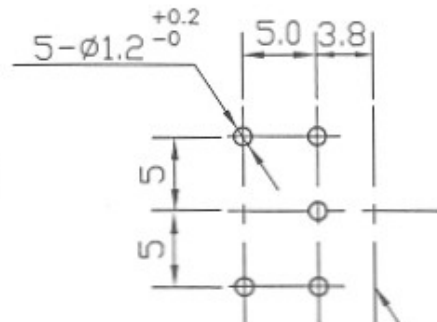
NUT 1 PC



WASHER 1 PC



	L	F
	20	12



MOUNTING SURFACE

MOUNTING HOLE DETAIL

-(OX4)

RV16A03F-20-(L)F-XXX-(0C)

No.	DATE	DESCRIPTION	PART No.	NAME			
TOL.UNLESS OTHERWISE STATED		DIMENSION	SCALE	DRAWN BY	CHECKED BY	APPROVED BY	DRAWING No.
less than	10	±0.3	2:1	張月琴 94.10.28	[Signature]	李信昌 94.10.28	
above	10~30	±0.5					
above	30~100	±1.0					
above		±5'					
		mm					