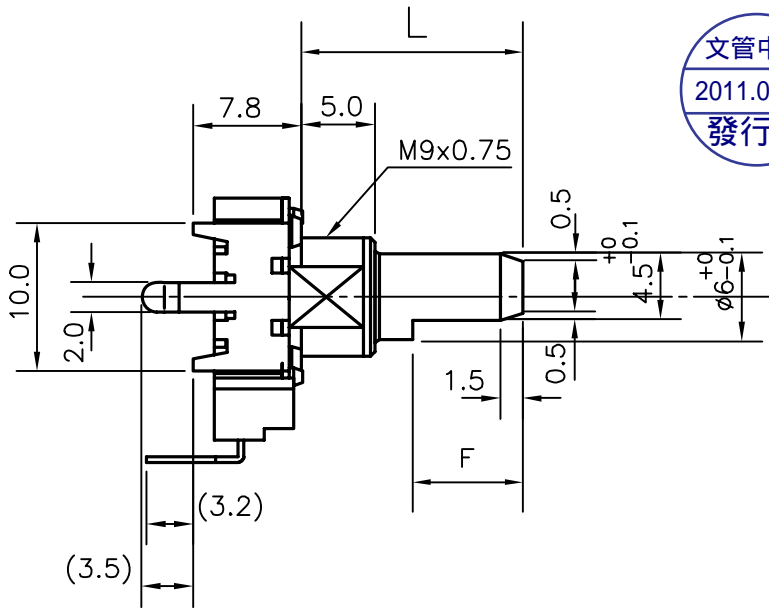
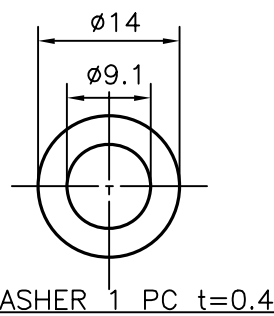
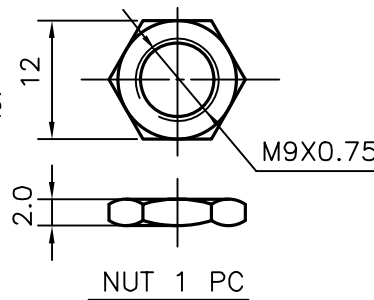
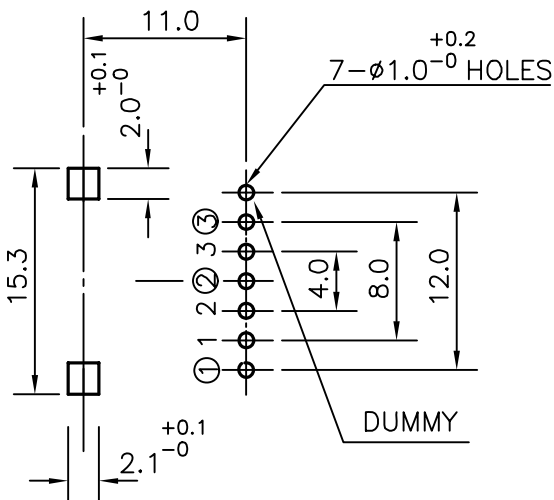
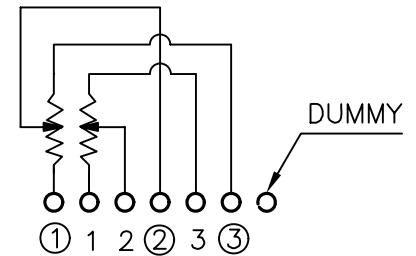
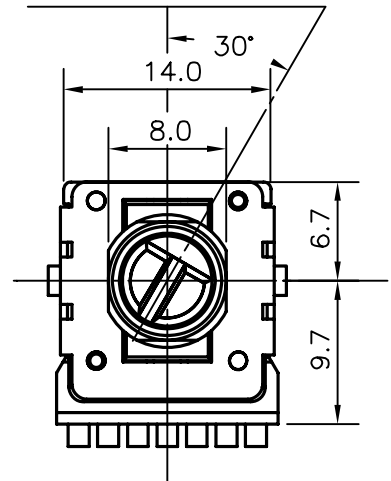


文管中心
2011.03.01
發行章



SHAFT SHOWN IN FULL C.C.W POSITION



	30A	30	12
	275A	27.5	12
	25A	25	12
	225A	22.5	12
	20A	20	12
	175A	17.5	12
	15A	15	7
	125A	12.5	7
NOTE	A	L	F

P.C.B MOUNTING HOLE DETAIL VIEWED FROM MOUNTING SIDE

WASHER 1 PC t=0.4

						-(OC9)	
						RV142BF-40E1-(L)A-XXX-(OC)	
NO.	DATE	DESCRIPTION		MODEL NAME			
TOL. UNLESS OTHERWISE STATED		DIMENSION	SCALE	DRAWN BY	CHECKED BY	APPROVED BY	DRAWING NO.
less than 10 ±0.3		mm		陳 98.7.29 筱婷	傅 98.7.29 仕維	王 98.7.29 茂松	
above 10 ~ 30 ±0.5							
above 30 ~ 100 ±1.0							
above ±5°							